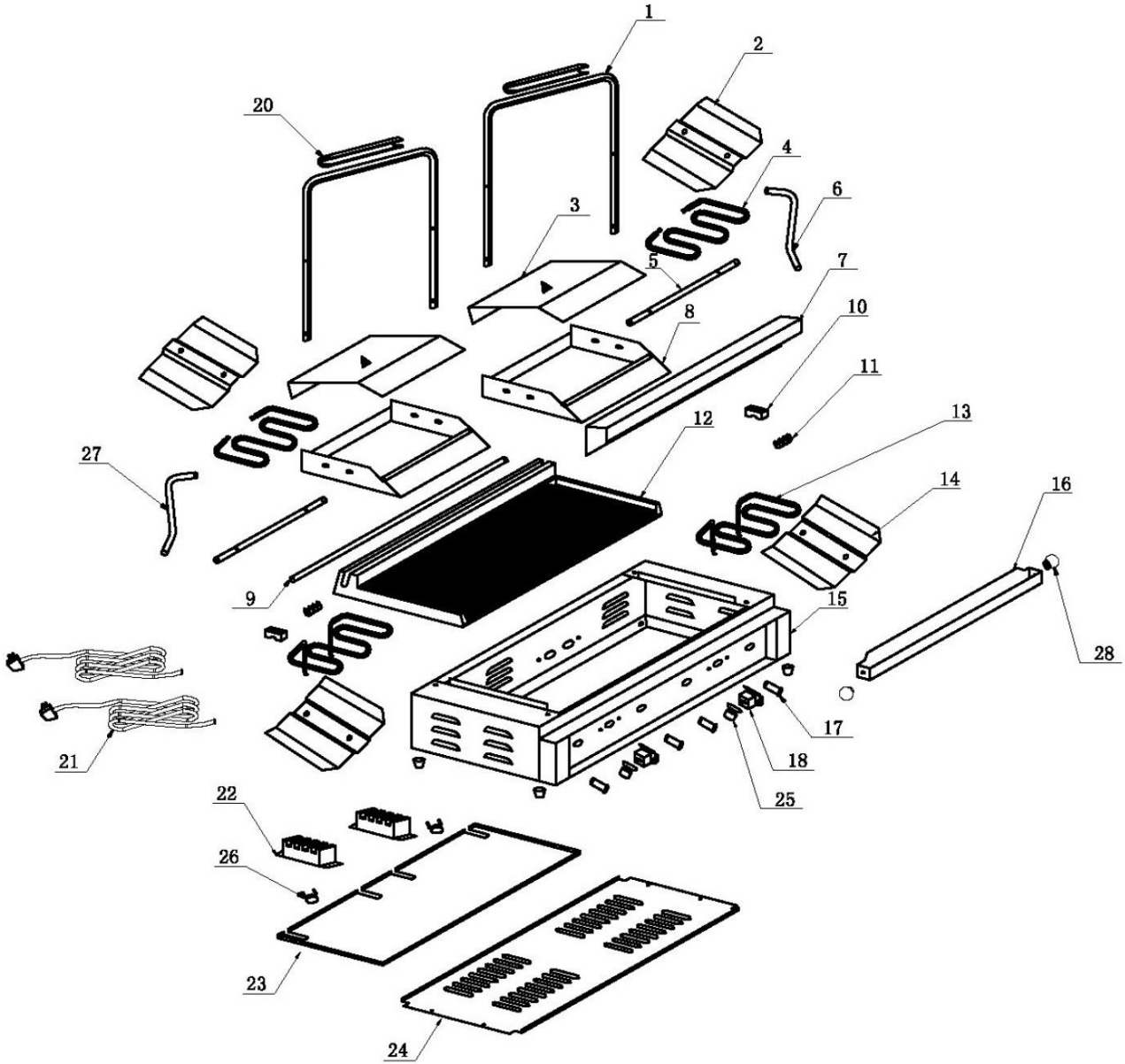


# BRRCG2(New)\*

Exploded parts diagram







Number	Description	Qty
1	Operation Handle	2
2	Top Heating Element Plate	2
3	Top Cover	2
-	Insulation	2
4	Top Heating Element	2
5	Axis	2
7	Column Cover	1
8 & 12	Plate Set (Top & Bottom Grooved) BRRCG2A	1
	Plate Set (Top Grooved/ Bottom Flat) BRSCG2A	1
9	Rear Rotary Axle	1
10	Copper	2
11	Twisting Spring	2
13	Bottom Heating Element	2
14	Bottom Heating Element Plate	2
15	Panel	1
16	Oil Tray	1
17	Indicator Lamp – Yellow	2
	Indicator Lamp – Green	2
18	Thermostat	2
19	Feet	4
20	Handle	2
21	Power Cord	2
22	Terminal	2
23	Press plate	2
-	Insulation	1
24	Bottom Plate	1
25	Thermostat Knob	2
26	Temperature Limiter	2
27	Coil in Pipe-Left	2
28	Orb	2

\*\*\* Please contact Spares for assistance \*\*\*

\*Other model Variant available;

Bottom smooth – BRSCG2